

# MIRRORSTONE

INFRARED HEATING

## IONIS INFRARED BAR HEATER MANUAL



MS-ION-12J/MS-ION-18J/MS-ION-24J/MS-ION-30J  
MS-ION-12WC/MS-ION-18WC/MS-ION-24WC/MS-ION-30WC



# CONTENTS

---

|   |    |
|---|----|
| 1. Before using your heater for the first time                    | 3  |
| 2. Important Safeguard  | 3  |
| 3. Installation Guide   | 6  |
| 4. Product Instructions for Non-Remote Controllable Ionis Heaters | 9  |
| 5. Product Instructions for Remote Controllable Ionis Heaters     | 11 |
| 6. Wi-Fi Operation  | 14 |
| 7. Using the 7-day Timer With Your Heater                         | 17 |
| 8. Warning  | 18 |

---

# BEFORE USING YOUR HEATER FOR THE FIRST TIME

---

Please read all the instructions in this manual carefully, even if you have prior experience of using an infrared heater. This manual should be kept in a safe place for future reference.

Should you need to make any kind of warranty claim with the manufacturer, you will need to make note of the complete model number (located on the product card at the back of the heater), the date on which you received the product, and your receipt of purchase.

The various ratings listed on the product card are based on specific loading tests performed in a controlled environment. Normal usage of use with other electrical equipment may result in different ratings.

Upon switching the heater on for the first time, you may notice a distinct smell and light smog. Please be aware that this is completely normal—this is simply the protective oils used on the element to protect it during production and transport burning off. Once the heater has been on in an open environment, any smell or smog will disappear over a short period of time.

## IMPORTANT SAFEGUARDS

---

Please abide by the following safety precautions when using the heater, in order to minimise the risk of fire, electrical shock, injury or property damage:

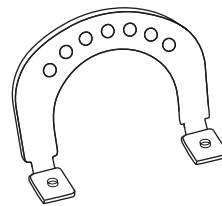
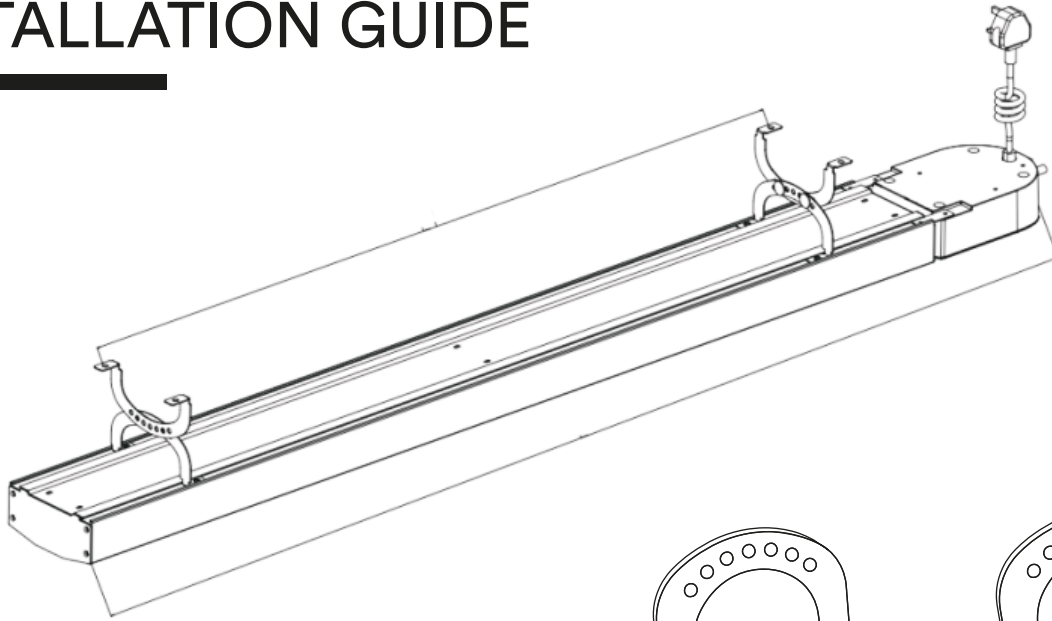
- Use only the voltage specified on the product card located at the back of the heater.
- Do not obstruct the front of the heater, or block the entry or exit of any airflow. There should be a clearance of at least 30cm around the front and sides of the heater.
- Do not use the product in close proximity to any other radiant heater source.
- Do not use the product in close proximity to gasoline, paint or any other highly flammable materials.
- Take extra care to ensure that the heater has been off for at least 1 hour before touching it with bare skin or moving it to another location.
- Keep the heater away from all kinds of liquid, ensuring that it does not become immersed in any liquid, as this could create an electrical shock.
- Do not use the heater if the plug, power cord, or connectors become damaged in any way.

In the event of such an occurrence, please return the heater to a qualified electrician for examination, adjustment, service or repair.

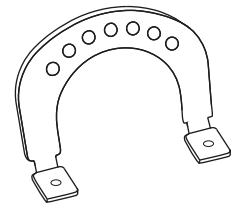
- Do not touch the appliance with wet hands.
- The most common cause of overheating is dust or fluff deposits getting stuck in the heater.
- You can prolong the life and ensure the safety of your heater by disconnecting it regularly and vacuum cleaning the air vents and grilles.
- Ensure that the product is installed away from windows as any rain may cause an electrical shock.
- When cleaning the heater, only use a soft, damp cloth, and always ensure that the heater has been disconnected from the mains before cleaning. Do not use an abrasive cleaning cloth.
- Do not connect to the main supply until the heater has been completely installed.
- Do not use the heater in the immediate vicinity of any baths, showers, swimming pools, or any other areas where there is a high concentration of water.
- Do not tamper with the power cord while the heater is on.
- Using an extension cord with this product is not recommended.
- Please ensure that the power cord is disconnected when the heater is not on.
- This heater isn't suitable for use near long pile carpets or flokati rugs.
- Do not allow the power cord to come into contact with the heater when it is on.
- Do not leave the power cord loose around walkways or corridors, as this could be a tripping hazard.
- Do not twist, kink or wrap the cord around the heater, as this may cause the insulation to weaken and split.
- Do not store the heater away while it is still hot.
- The heater is not to be used by young children, the elderly or the vulnerable without supervision.
- Do not use the heater with more than one programmer or timer that will switch the heater on and off automatically. The remote controllable versions come with one built in. You can use an external one with the non remote versions.
- The cover and casing are designed to protect the heating elements inside the heater, and should not be tampered with or opened under any circumstances.
- The heater may be operated by children over the age of 8 and those who suffer from reduced physical, sensory or mental capabilities, provided they are supervised or have a complete understanding of the operation and general hazards involved with using the heater. Children should not play with the heater, and should not carry out any cleaning or maintenance of the heater.
- Children younger than 8 should not use the heater in any capacity, whether they are supervised or unsupervised. The outer surface of the heater can get very hot and cause burns if contact is made with the skin for prolonged periods of time. Please pay attention when children or vulnerable people are present.

- 
- The heater should be installed at a minimum of 2.2 metres from the floor.
  - Should the power cord become damaged, it must be returned to the manufacturer, or be repaired by a qualified electrician.
  - The heater should not be used in confined spaces with occupants who are unable to leave the room on their own.

# INSTALLATION GUIDE

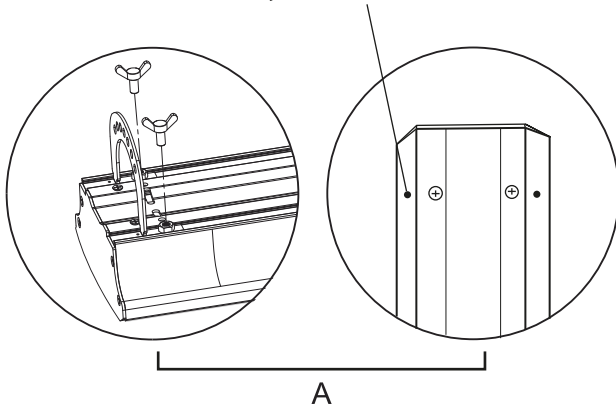


2x Brackets with notch

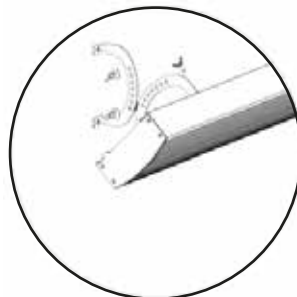
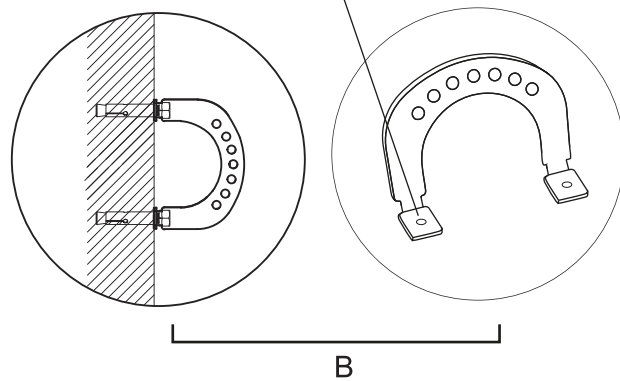


2x Brackets without notch

These holes at the back of the bar heater are not for the screws, they allow air to flow.



The brackets have a notch, the one with the notch goes into the bar heater, without the notch goes into the wall.



Step 1: Use the screws provided to install two of the brackets to the back of the heater, as shown in Fig. A.

Step 2: Use the screw provided to install two of the brackets to the wall or ceiling, as shown in Fig. B.

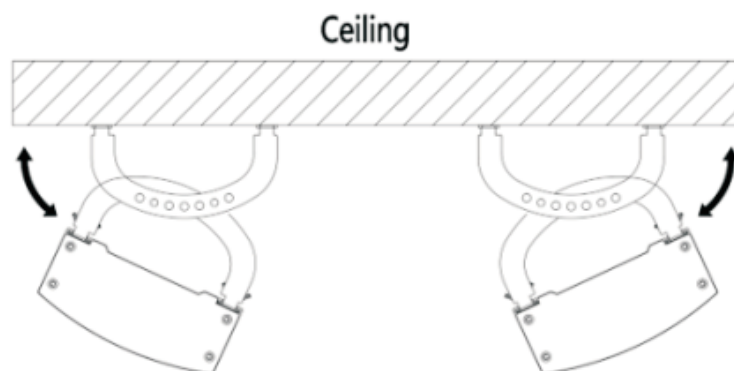
Step 3: Connect the brackets on the back of the heater to the brackets on the wall at your desired angle, using the wing nuts provided to fix them, as shown in Fig. C.

1



For ceiling installation: the distance between the side of the heater and the wall should be at least 100mm, as shown in Fig. 1.

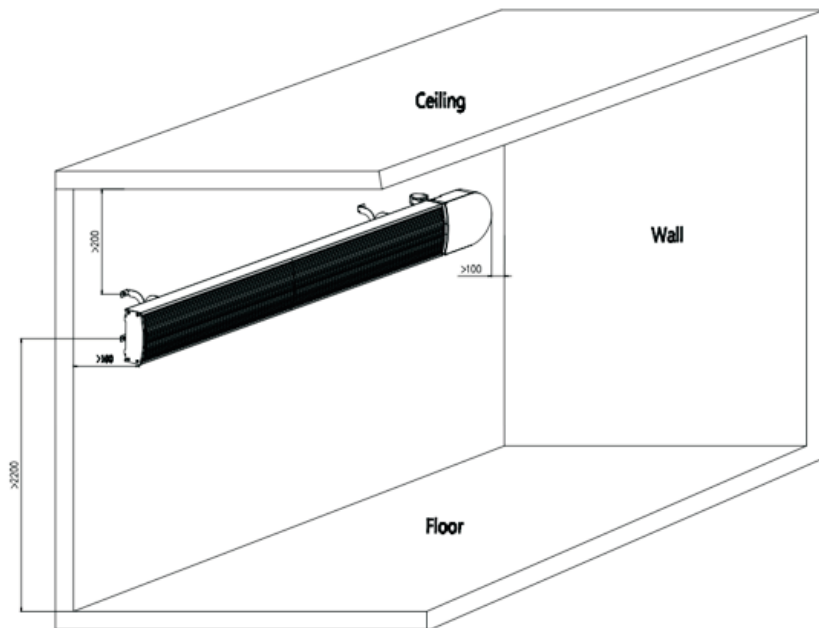
2



(Spare parts purchased separately)

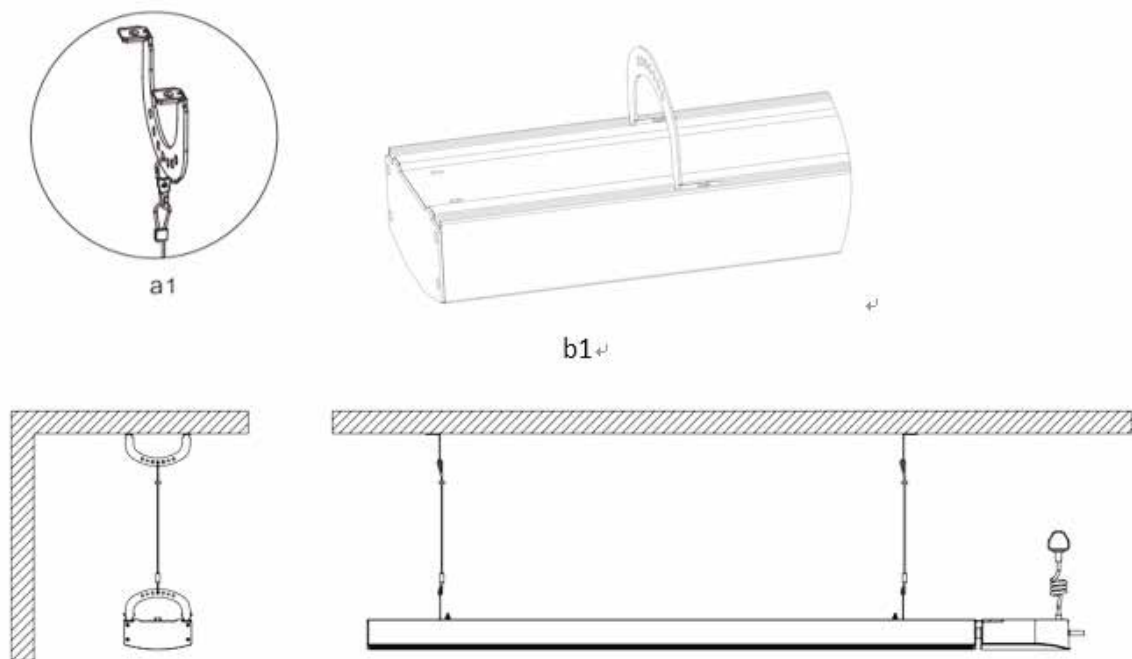
For a double installation, both heaters are mounted through a connecting frame, which is installed on the ceiling, as shown in Fig. 2.

3



For wall installations, the height from the floor should be at least 1.8 metres, as shown in Fig.3.

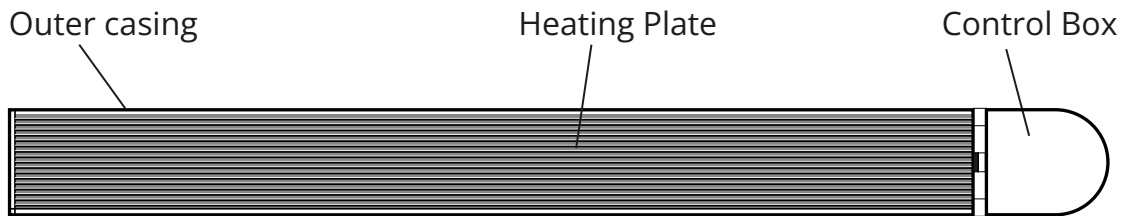
4



For suspended installation, the heater will hook up to the suspension cables and hang from the ceiling, as shown in Fig.4.



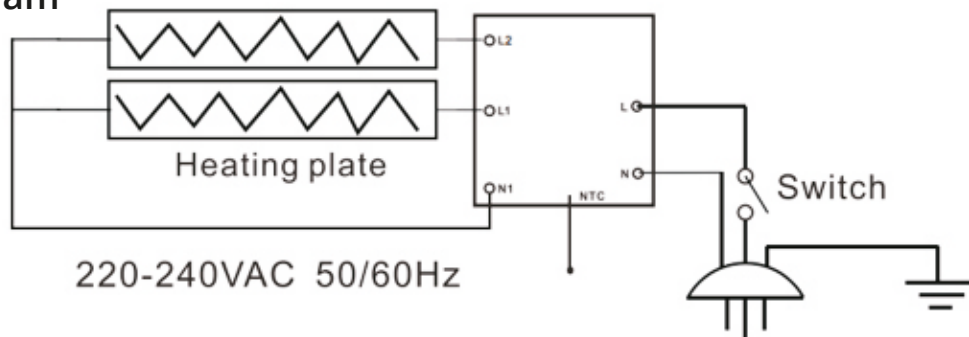
# PRODUCT INSTRUCTIONS FOR NON-REMOTE CONTROLLABLE IONIS HEATERS



## Product Size

| Model      | Power | Length(mm) | Height(mm) | Depth(mm) |
|------------|-------|------------|------------|-----------|
| MS-ION-12J | 1200W | 961        | 150        | 67        |
| MS-ION-18J | 1800W | 1261       | 150        | 67        |
| MS-ION-24J | 2400W | 1561       | 150        | 67        |
| MS-ION-30J | 3000W | 1861       | 150        | 67        |

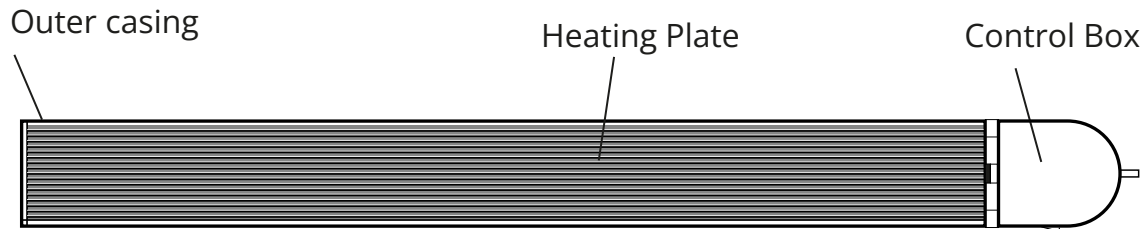
## Circuit Diagram



1. Before first use, please read this manual carefully.
  - 1.1 When removing the heater from the box, please take care to ensure that you do not damage the heater, and that you retain the box for storage purposes.
  - 1.2 Install the heater according to the instructions provided in the manual.
  - 1.3 The heater should be connected to its own power supply, as it should not share a circuit with other high-power appliances, otherwise the circuit may overload.
2. Make sure the heater is OFF before adjusting it. Once plugged in, turn the heater on and the power indicator will light up.
3. To turn off the heater, ensure the power indicator is off, and then unplug the power plug.
4. Please be aware that the front of the heater does get very hot when in operation, so please take care to ensure you do not touch the heater when it is on.

- 
5. When you require any service or repair, contact your local service centre or qualified electrician.
  6. Should the power cord become damaged, it must be replaced by a qualified electrician or the manufacturer.
  7. This heater is not intended for use by children or vulnerable people without supervision.

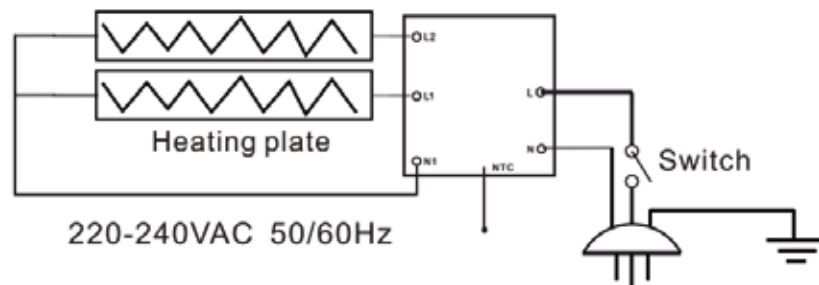
# PRODUCT INSTRUCTIONS FOR REMOTE CONTROLLABLE IONIS HEATERS



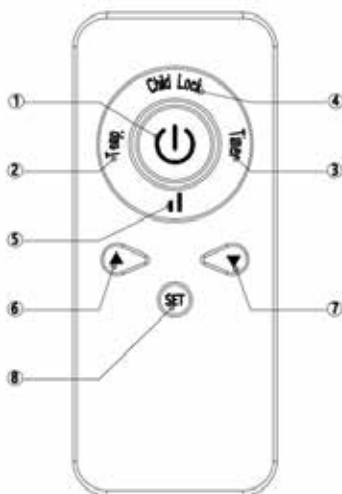
## Product Size

| Model       | Power | Length(mm) | Height(mm) | Depth(mm) |
|-------------|-------|------------|------------|-----------|
| MS-ION-12WC | 1200W | 961        | 150        | 67        |
| MS-ION-18WC | 1800W | 1261       | 150        | 67        |
| MS-ION-24WC | 2400W | 1561       | 150        | 67        |
| MS-ION-30WC | 3000W | 1861       | 150        | 67        |

## Circuit Diagram



## Remote Control



1. Power on/off buttons
2. Temperature button
3. Timer button
4. Child lock button
5. High/Low switch buttons
6. Up button
7. Down button
8. Set button

**Please note:** That the remote control is only available with MS-ION-12WC, MS-ION-18WC, MS-ION-24WC and MS-ION-30WC models. If you have purchased a non-remote Zenos Heater, you will not receive a remote control in the box.

---

## Getting Started

- When removing the heater from the box, please take care to ensure that you do not damage the heater, and that you retain the box for storage purposes.
- Install the heater according to the instructions provided in this manual.
- The heater should be connected to its own power supply, and should not share a circuit with other high-power appliances, otherwise the circuit may overload.

## Switching The Heater On

- Please ensure that the power switch located on the bottom of the heater is in the Off position before connecting to your electrical supply.
- Start by putting the power switch on the bottom of the heater into the On position. The display light on the front of the heater will light up briefly, and the heater will beep, indicating that it is in Standby mode.
- Press the Power button on the remote to switch the heater on. You will see the current room temperature appear on the screen on the front of the bar heater.
- Press the Power button one more time to switch the heater back into Standby mode.

## Using Automatic Temperature Control

- To set your target temperature, start by pressing the Temp. button on your remote. You'll see the default target temperature flashing on the screen.
- You can adjust the target temperature by using the Up and Down buttons on your remote, in 1 degree increments. The maximum target temperature is 45°C, and the lowest is 5°C.
- To save your target temperature, simply leave the heater for a few seconds, and it will save your settings.
- If the target temperature is higher than the current room temperature, the heater will switch on. If the target temperature is lower than the current room temperature, then the heater will switch off automatically.

## Using The Timer Function

- Start by pressing the Timer button on your remote. You will see a "24H" flashing on the screen.
- Use the UP and Down buttons on your remote to increase or decrease the number of hours that you would like your heater to remain on for in 1 hour increments.
- You can select any duration between 0 hours and 24 hours.
- To save your timer settings, simply leave the heater for a few seconds, and it will save your settings.

---

## Locking Your Bar Heater

- To use the child lock, press the Set button, quickly followed by the Child Lock button. You will see a padlock icon on the screen to tell you that Child Lock is enabled.
- To unlock your heater, simply press Set followed by Child Lock again.

## Using Eco Mode

- Pressing the Set button twice in a row switches the screen off, saving power.
- To switch the screen back on, simply press the Set button once.

## Switching Power Settings

- To switch between half power and full power, press the High/Low switch button.
- When you're in full power mode, the circle around the edge of the display on your screen will be full, and there will be a full sun icon on screen.
- When you're in half power mode, the circle around the edge of the display on your screen will be partially full, and there will be a half sun icon on screen.

## Using The Motion Sensor

- To toggle the motion sensor on, press the Set button, quickly followed by the Up button. You will see a 'person' icon on your screen, indicating that it is on.
- When on, your heater will automatically switch on when it detects motion, and will switch off automatically after a period of inactivity.
- To switch the motion sensor off, press the Set button, quickly followed by the Up button again.

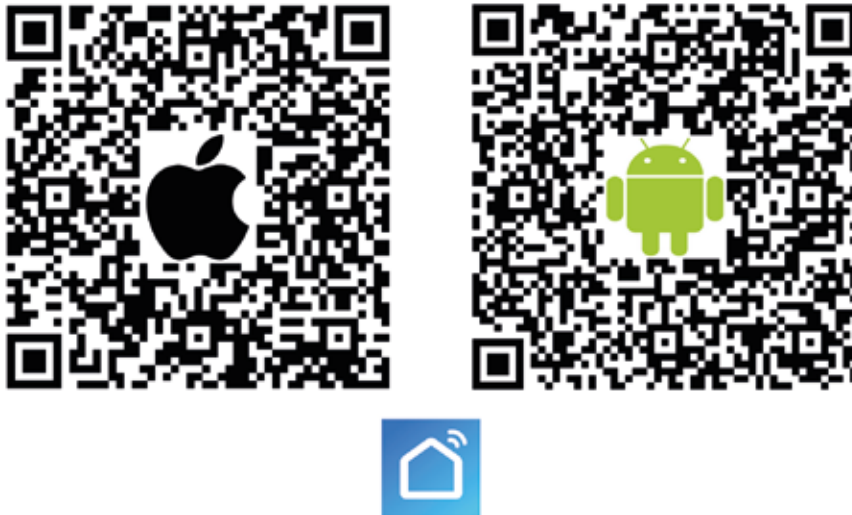
## Using The Open Window Detection

- By default, the heater comes with open window detection, where if the heater detects a drop in temperature by 3°C or more within a 2-minute time window, it will automatically switch off to conserve energy and increase efficiency. When this happens, the display will flash and there will be a clicking sound. To override this, simply use the remote to switch the heater back on.

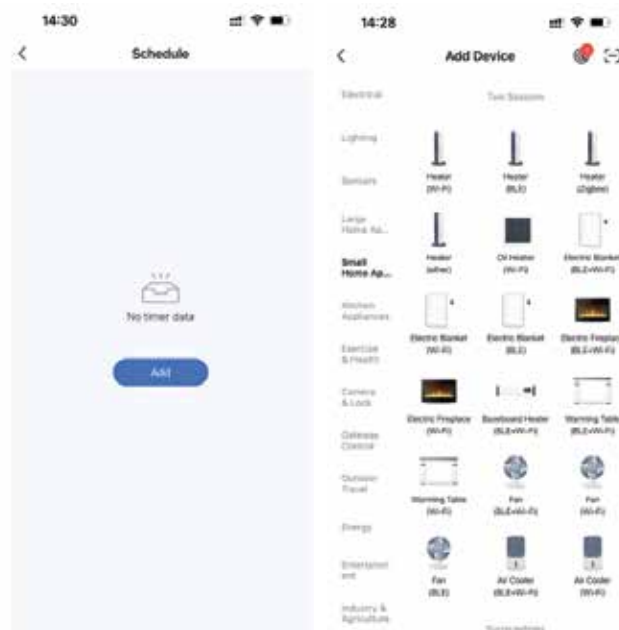
## Resetting Your Wi-Fi Connection

- To reset the Wi-Fi settings on your heater, press the Set button, quickly followed by the Down button.
- Once pressed, you will see the Wi-Fi icon on the heater screen begin to flash. This indicates that the heater is now in pairing mode.

# WI-FI OPERATION

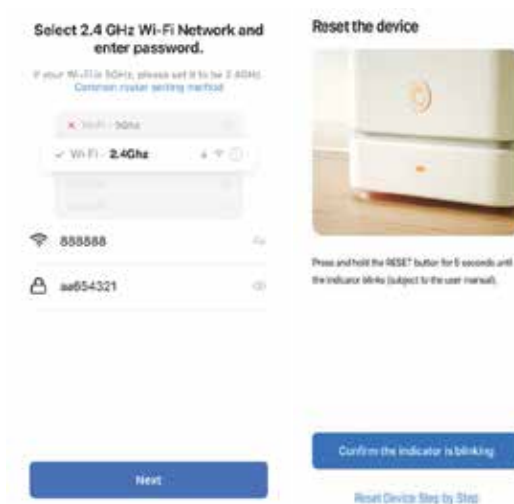


- 1 Scan the QR code with your mobile phone, to download and install the Smart Life app. Create an account if you haven't already. Make sure to keep your password somewhere safe.
2. Open the app, click Add device, or click on the + in the top right corner, then select the electric heater option.



3. Click OK, then connect to your Wi-Fi. Make sure you're using a 2.4GHz connection, as a 5GHz connection will not work. When scanning your available networks, if you see a single network

belonging to you, then this will be the correct band. If you see two networks, the name of the network should help you identify which band it belongs to, so a 2.4GHz network will have 24G, 2.4, 24 or something similar in the name, whilst the 5GHz network will have 5 or 5G in the name).



4. On the next screen, under the Small Home Appliances category on the left, scroll down and select "Heater" in the Life subcategory.



5. On your remote, press the Set button followed by the Down to reset the Wi-Fi setting for the Bar Heater. You should see the Wi-Fi indicator begin to blink rapidly.
6. Now on the app, confirm that the light is blinking rapidly, and enter your Wi-Fi network information (the name of the network and the password).
7. The app will now scan for the heater, and connect once it has paired.
8. If the pairing fails, you can try pairing the heater via Hotspot mode. To do this, press the

---

Set Button followed by the Down button again on your remote. The Wi-Fi symbol on your Bar Heater should start flashing slowly.

9. In the app, when asked, you should confirm that the light is blinking slowly.
10. Enter your Wi-Fi details on the next screen (network name and password), before connecting your phone to a new Wi-Fi network named "SmartLife\_XXXX" where the "XXXX" will be randomised numbers.
11. Once you're connected to "SmartLife\_XXXX", click the button that says Confirm the hot spot, next, the app will begin attempting to connect to the heater.



# USING THE 7-DAY TIMER WITH YOUR HEATER

1. On the home screen of the Smart Life app, press the Timer button in the bottom right corner.
2. Then, press Add in the middle of your screen.
3. On the next screen, you'll be able to choose your timer settings.
4. Use the sliders at the top of the screen to set what time you want your heater to switch on or off.
5. Press the Repeat button to set which days you would like the timer to occur on, if any.
6. Press the Note button to set a note for that particular timer setting.
7. Press the Switch button to set whether you want the heater to switch on or off at the time you have set.

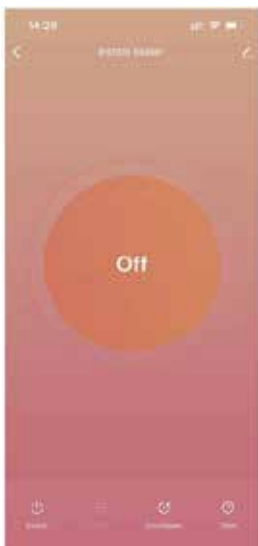


Figure 1

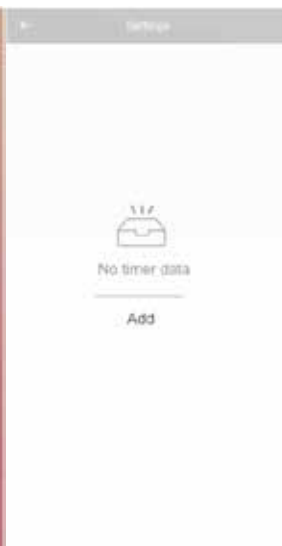


Figure 2



Figure 3



Figure 4



Figure 5



Figure 6



Figure 7

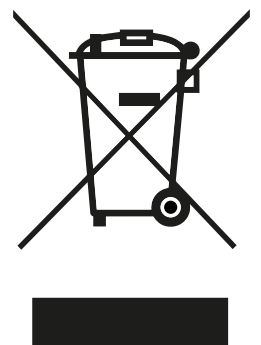


Figure 8

# WARNING

---

- Please ensure that the heater is installed correctly, as per this instruction manual, and that it is facing the correct way.
- The heater should be installed in a place where the controls cannot be used by someone who is using a bath or shower.
- The heater should not be installed directly above an electrical socket.
- Please ensure that the heater is not installed in close proximity to furniture, curtains or any other objects in the home that are flammable.
- Please be aware that this heater will get hot whilst in use. To prevent injury, do not touch the heater when it is on, and allow at least 1 hour after disconnecting from the power supply before touching it.
- For repairs and servicing, please get in contact with the retailer from where you purchased this heater.
- If there is any damage to the power cord, you must stop using the heater immediately, and get it repaired from the retailer from where you purchased this heater.
- This heater is not to be used by children or other vulnerable people without supervision from an adult.
- When disposing of your heater, please use your local rubbish collection facilities rather than using your general waste services. Contact your local council for information regarding these collection services.



# MIRRORSTONE

INFRARED HEATING



[sales@mirrorstone.co.uk](mailto:sales@mirrorstone.co.uk)

[www.mirrorstoneheating.co.uk](http://www.mirrorstoneheating.co.uk)

86 Scudamore Road Leicester, LE3 1UQ

+44 (0) 116 436 2250